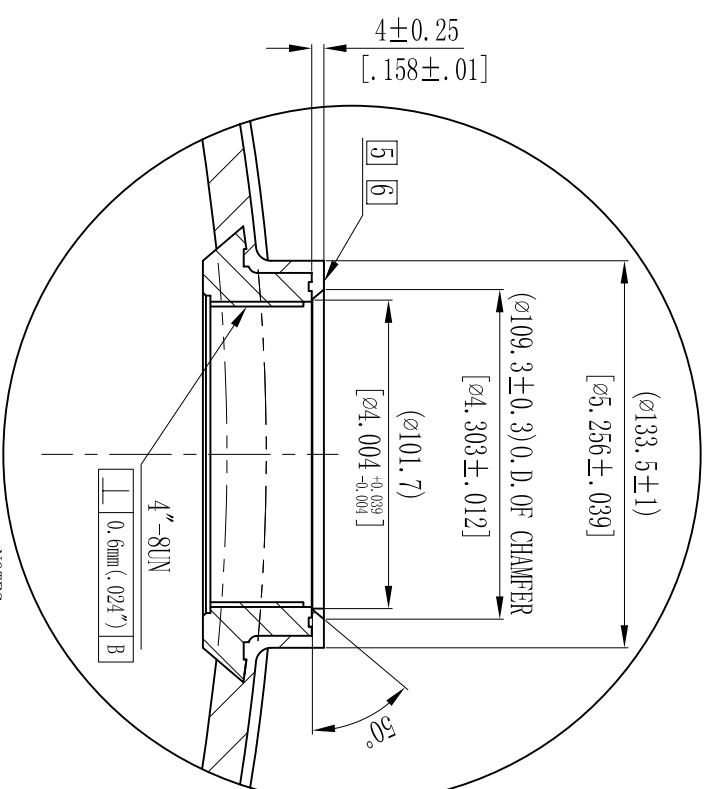


MODEL	A			VOLUME			DOME VOLUME			WEIGHT	
	mm	inch	+/- mm inch	liters	U.S. gal	cubic FT	liters	U.S. gal	cubic FT	Kg	LBS
18x65	1722	67.80	15	0.59	269	9.51	17.3	4.57	0.61	30.5	67.1
18x36	1000	39.37	15	0.59	138	4.88	17.3	4.57	0.61	18.7	41.1
18x53	1432	56.38	15	0.59	211	7.46	17.3	4.57	0.61	25.8	56.8

1:2.5



NOTES:

- TANK MUST MEET ALL APPLICABLE SPECIFICATIONS OF NSF/ANSI 044 STANDARD, LATEST REVISION.
- OPERATING SPECIFICATIONS:
 - MAXIMUM WORKING PRESSURE - 150 PSI (10.5BAR)
 - TEMPERATURE RANGE - 34-120° F (-4-49°C)
 - MAXIMUM VACUUM - 5"Hg (127mm Hg)
- VISUAL LINER INSPECTION
 - NO MORE THAN 10 INTERNAL OR EXTERNAL BLEMISHES OR BURNT DEBRIS.
 - NO INTERNAL OR EXTERNAL BLEMISHES OR BURNT DEBRIS LARGER THAN 3×3mm.
 - NO INTERNAL BLEMISHES OR BURNT DEBRIS ALLOWED.
- ALL GLASS STRANDS FROM FIBERGLASS LINER TO BE BONDED AND COVERED.
- SURFACE TO BE FREE OF NICKS, SCRATCHES, RESIN AND GLASS.
- SURFACE FINISH.
- DIMENSIONS IN PARENTHESES ARE REFERENCE ONLY.
- DIMENSIONS IN SQUARE PARENTHESES ARE INCH UNIT.
- TANK TO BE BONDED TO BASE.
- USING A STANDARD LEVEL WITH TANK POSITIONED ON A LEVEL SURFACE, DATUM B TO BE PARALLEL WITH DATUM A. BUBBLE OF LEVEL MUST FALL COMPLETELY WITHIN LINES WHEN MEASURED AT 90° INTERVALS.

VERSION NO.	6	THIS DRAWING IS UPDATED COMPLYING WITH THE CHINESE VERSION	SIGNATURE	2008/07/21
REPRESENTAL PLASTIC SHRINKAGE (IF NECESSARY):		DESCRIPTION OF CHANGES:		DATE
SIGNATURE		WAVE CYBER (SHANGHAI) CO., LTD.		
DESIGN	NAME	DATE	SCALE	MATERIAL
INSPECTION			1 : 5	
APPROVAL			QUANTITY	SMOOTHNESS
THIS PRODUCT DRAWING CAN NOT BE COPIED AND/OR USED WITHOUT PRIOR WRITTEN APPROVAL OF WAVE CYBER.			PROJECTION	COMPUTER CODE
			DRAWING NO.	VERSION NO.
			111181-00	6
DO NOT MEASURE THE DIMENSIONS.			UNIT: MM	TOTAL PAGE: 1