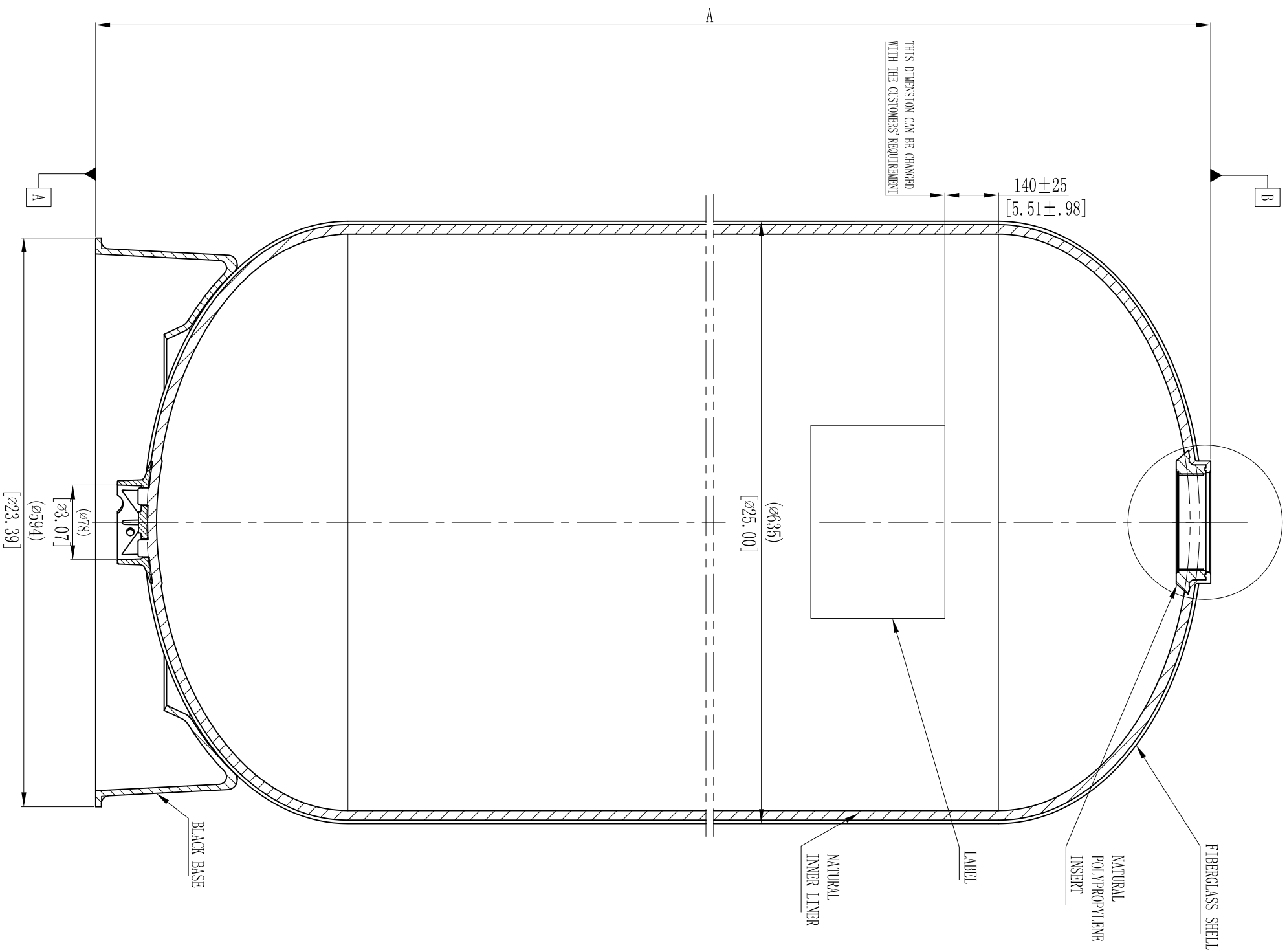
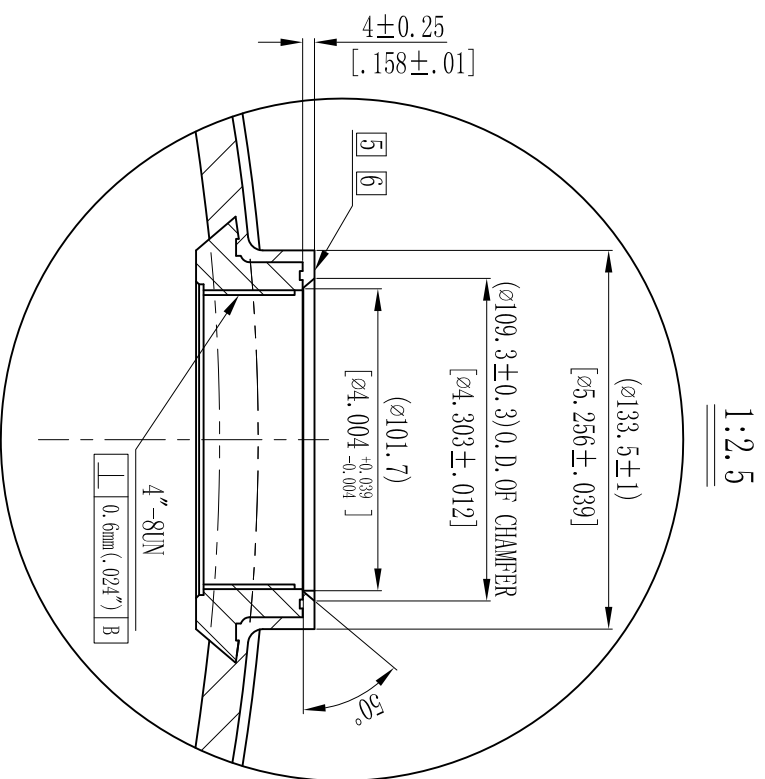


00-112111



MODEL	A			VOLUME			DOME VOLUME			WEIGHT		
	mm	inch	+/-	liters	U.S. gal	cubic FT	liters	U.S. gal	cubic FT	kg	LBS	
24x72	1918	75.51	15	0.59	473	125.0	16.71	37.95	10.02	1.34	54.2	119.2
24x65	1717	67.60	15	0.59	425	112.3	15.01	37.95	10.02	1.34	50.1	110.2



NOTES:

- TANK MUST MEET ALL APPLICABLE SPECIFICATIONS OF NSF/ANSI 044 STANDARD, LATEST REVISION.
- OPERATING SPECIFICATIONS:
 - MAXIMUM WORKING PRESSURE - 150 PSI (10.5BAR)
 - TEMPERATURE RANGE - 34-120° F (-1-49°C)
 - MAXIMUM VACUUM - 5"Hg(127mm Hg)
- VISUAL LINER INSPECTION
 - NO MORE THAN 10 INTERNAL OR EXTERNAL BLEMISHES OR BURNT DEBRIS.
 - NO INTERNAL OR EXTERNAL BLEMISHES OR BURNT DEBRIS LARGER THAN 3x3mm.
 - NO INTERNAL BLEMISHES OR BURNT DEBRIS ALLOWED.
- ALL GLASS STRANDS FROM FIBERGLASS LINER TO BE BONDED AND COVERED.
- SURFACE TO BE FREE OF NICKS, SCRATCHES, RESIN AND GLASS.
- SURFACE FINISH.
- DIMENSIONS IN PARENTHESES ARE REFERENCE ONLY.
- DIMENSIONS IN SQUARE PARENTHESES ARE INCH UNIT.
- USING A STANDARD LEVEL WITH TANK POSITIONED ON A LEVEL SURFACE, DATUM B TO BE PARALLEL WITH DATUM A. BUBBLE OF LEVEL MUST FALL COMPLETELY WITHIN LINES WHEN MEASURED AT 90° INTERVALS.

VERSION NO.	6	THIS DRAWING IS UPDATED COMPLYING WITH THE CHINESE VERSION	DATE	2011/01/28
REPRESENTATIONAL PLASTIC SHRINKAGE (IF NECESSARY):		DESCRIPTION OF CHANGES:	SIGNATURE	
SIGNATURE		WAVE CYBER (SHANGHAI) CO., LTD.		
DESIGN	NAME	DATE	SCALE	MATERIAL
INSPECTION			1 : 5	
APPROVAL			QUANTITY	SMOOTHNESS
THIS PRODUCT DRAWING CAN NOT BE COPIED AND/OR USED WITHOUT PRIOR WRITTEN APPROVAL OF WAVE CYBER.		PROJECTION	COMPUTER CODE	DRAWING NO.
		DO NOT MEASURE THE DIMENSIONS.	UNIT: MM	111241-00
				VERSION NO. 6
			TOTAL PAGE: 1	