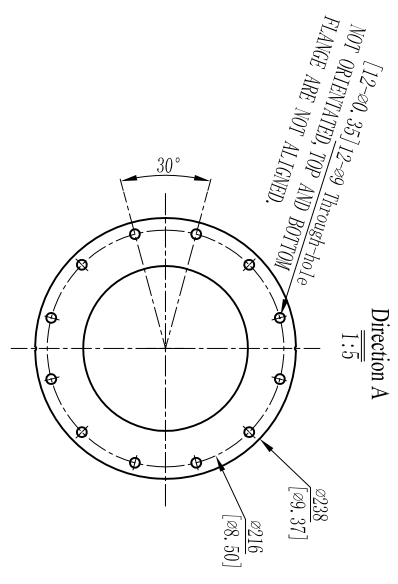


MODEL	A		VOLUME		DOME VOLUME		WEIGHT					
	mm	inch	liters	U.S. gal	liters	U.S. gal	kg	lbs				
36x72	2213	87.13	15	0.59	998	263.7	35.26	33.21	4.44	132.6	291.7	
36x57	1913	75.31	15	0.59	776	205.0	27.42	125.8	33.21	4.44	106.9	235.2



- NOTES:
- TANK MUST MEET ALL APPLICABLE SPECIFICATIONS OF NSF/ANSI 044 STANDARD, LATEST REVISION.
 - OPERATING SPECIFICATIONS:
 - MAXIMUM WORKING PRESSURE - 150 PSI (10.5BAR)
 - TEMPERATURE RANGE - 34-150° F (-1-65°C)
 - MAXIMUM VACUUM - 5"Hg (127mm Hg)
 - VISUAL LINER INSPECTION
 - NO MORE THAN 20 INTERNAL OR EXTERNAL BLEMISHES OR BURNT DEBRIS.
 - NO INTERNAL OR EXTERNAL BLEMISHES OR BURNT DEBRIS LARGER THAN 5x5mm.
 - NO INTERNAL BLEMISHES OR BURNT DEBRIS ALLOWED.
 - ALL GLASS STRANDS FROM FIBERGLASS LINER TO BE BONDED AND COVERED.
 - SURFACE TO BE FREE OF NICKS, SCRATCHES, RESIN AND GLASS.
 - SURFACE FINISH.
 - DIMENSIONS IN PARENTHESES ARE REFERENCE ONLY.
 - DIMENSIONS IN SQUARE PARENTHESES ARE INCH DWT.
 - TANK TO BE BONDED TO BASE.
 - USING A STANDARD LEVEL WITH TANK POSITIONED ON A LEVEL SURFACE, DATUM B TO BE PARALLEL WITH DATUM A. BUBBLE OF LEVEL MUST FALL COMPLETELY WITHIN LINES WHEN MEASURED AT 90° INTERVALS.
 - AFTER THE TANK IS LEVELED, IT IS RECOMMENDED THAT THE TANK BE BOLTED TO THE FLOOR IN SIX POSITIONS PER THE TRIPOD BASE BOLT HOLE PATTERN WITH 3/8" ANCHORS.

6	DIMENSION A CHANGED	2011/08/29
5	THIS DRAWING IS UPDATED CORRECTING WITH THE CHANGE VERSION	2008/10/20
REVISIONS		SIGNATURE
DATE		DATE
SIGNATURE		
DATE		
DESIGN	NAME	DATE
INSPECTION		
APPROVAL		
THIS PRODUCT DRAWING CAN NOT BE COPIED AND/OR USED WITHOUT PRIOR WRITTEN APPROVAL OF WAVE CYBER		
DO NOT MEASURE THE DIMENSIONS		UNIT: MM
TOTAL PAGE: 1		

WAVE CYBER (SHANGHAI) CO., LTD.

SCALE	MATERIAL	MODEL
1 : 10		DESCRIPTION
QUANTITY	SMOOTHNESS	36" FRP PRESSURE VESSEL (DOUBLE FLANGE OPENING)
PROJECTION	COMPUTER CODE	DRAWING NO.
		113362-00
		VERSION NO.
		6