

CONSTRUCTION

Available Material	Polypropylene (PP) - BLACK	Polyvinylidene Fluoride (PVDF) - BLACK & NATURAL	Ethylene chlorotrifluoroethylene (ECTFE) - NATURAL
Unit Weight (with box)	0.61 lbs	0.93 lbs	0.93 lbs
Inlet & Outlet Connections	1.5" male NPT	1.5" male NPT	1.5" Tri-clamp
Suction Port Cap Connection - Default (Inner Diameter)	0.5" tubing barbs		
Suction Port Cap Connection - Alternate	0.5" male NPT		
Maximum Operating Temperature	212° F		
Maximum Operating Pressure (at 68° F)	120 psi		

ACCESSORIES

PART NUMBER	DESCRIPTION
K-183	Suction line kit (NOT FOR TRI-CLAMP)
KR-183	Economy suction line kit (NOT FOR TRI-CLAMP)
K-183-A	Bypass kit (includes suction line kit K-183) (NOT FOR TRI-CLAMP)
MV-50	PP and Teflon™ metering valve with Viton™ O-ring seals (0.5" female NPT connections)
MV5-PP	PP metering valve with custom "V Port" seat control (0.5" male NPT connections)
MV5-N-PVDF	Natural PVDF metering valve with custom "V Port" seat control (0.5" male NPT connections)
S-50HB	Strainer (0.5" barbed connection)
S-84	Strainer without tubing adapter (0.5" female NPT connection)

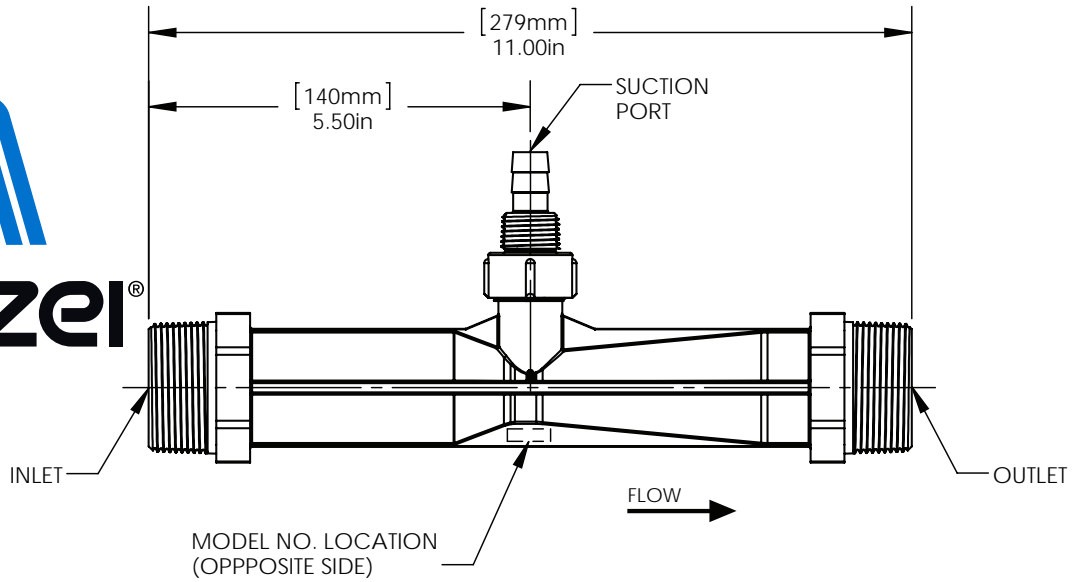
REPLACEMENT PARTS

INJECTOR MODEL	SUCTION PORT CAP	CHECK VALVE REPAIR KIT
1583-A PP BLACK	CAP.75 PP	CR-4
1583-A PVDF BLACK	CAP.75 PVDF	CR-4
1583-A N-PVDF NATURAL	CAP.75 N-PVDF	CR-4
1583-TC ECTFE NATURAL	N/A	CR-4



Injector Data Sheet
 1583-A PP, 1583-A PVDF, 1583-A N-PVDF, & 1583-TC ECTFE

Model 1583-A



Injector Data Sheet
 ISO GRPP 1583A & ISO 1583A PVDF

CONSTRUCTION

Available Material	Polypropylene (PP) - GREEN	Polyvinylidene Fluoride (PVDF) - BLUE
Unit Weight (with box)	0.25 kg	0.42 kg
Inlet & Outlet Connections	40 mm BSPT	
Suction Port Cap Connection - Default (Inner Diameter)	0.5" tubing barbs	
Suction Port Cap Connection - Alternate	0.5" male NPT	
Maximum Operating Temperature	100° C	
Maximum Operating Pressure (at 20° C)	8.44 bar	

ACCESSORIES

PART NUMBER	DESCRIPTION
MV-50	PP and Teflon™ metering valve with Viton™ O-ring seals (0.5" female NPT connections)
MV5-PP	PP metering valve with custom "V Port" seat control (0.5" male NPT connections)
MV5-N-PVDF	Natural PVDF metering valve with custom "V Port" seat control (0.5" male NPT connections)
S-50HB	Strainer (0.5" barbed connection)
S-84	Strainer without tubing adapter (0.5" female NPT connection)

REPLACEMENT PARTS

INJECTOR MODEL	SUCTION PORT CAP	CHECK VALVE REPAIR KIT
ISO GRPP 1583A GREEN	ISO CAP .75 GRPP	CR-4
ISO 1583A PVDF BLUE	N/A	CR-4

Model 1583-A