



Disc Filter for Water Treatment Systems

45006/45020
45012/45040

Instruction Manual



**Please read this manual in details
before using this valve and keep it properly
in order to consult in the future**

0WRX.466.502

1. Product Overview

The disc filter can be divided into core and shell two parts. The core is including disc and support (ABS material). During filtration, the disc were pressed tightly, when water flow by, the foreign material was blocked in disc or grooves which realize filtration function. When the foreign material was accumulated a certain amount, open the manual ball valve on drain outlet to release the foreign material. When the pressure drop up to a certain value, filtration was stopped, open the disc filter, loosen and clean discs, finally tight it and reassemble to use.

2. Application

Application	Description	Function	Industry
Circulating cooling water	Cooling water of air conditioning equipment and instrument	Avoid heat exchanger、 pipeline、 nozzle blocking and pollution, ensure the efficiency of heat exchanger, save water and energy.	Electricity, chemical, car, papermaking industry ect.
Circulating recycle water	Clean water or wash water recycle、 papermaking water recycle、 tank cleaning	Remove impurities from water, which makes the water qualify to recycle. In order to protect equipment、 pipeline、 nozzle and product.	Electricity, chemical, car, papermaking, steel industry ect.
For normal water usage	Cleaning water、 drinking water	Remove impurities from water, which make water reach the using requirement. In order to protect equipment、 pipeline、 nozzle and product.	Electricity, chemical, car, papermaking industry ect.
For normal water treatment equipment protection	Protect resin and filters	Remove impurities from water, which will longer lifetime of the equipment.	All industries
Protect membrane filtration	Micro-filtration membrane, ultrafiltration membrane, ion exchange membrane	Remove big、 soft or fibrous impurities	Water treatment industry
Seawater filter	Seawater desalination, mariculture, seawater circulating	Remove impurities and microorganism	Water treatment industry
Waste water treatment	Discharge treated waste water, pre-filter for biological treatment、 pre-filter for water recycling	Reduce particulate matter and microorganism	All industries
For fluid chemical industry	Solvent and emulsion	Protect equipment	All industries

MODEL: 45006/45012/45020/45040

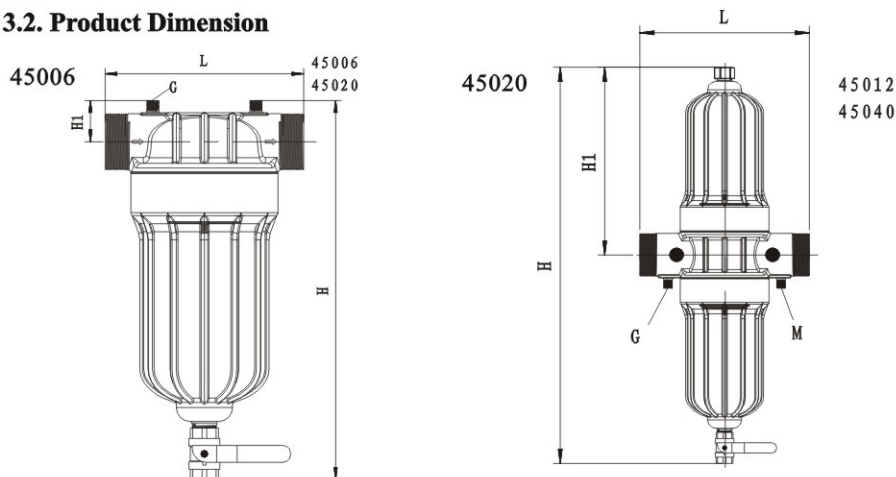
3. Technical Parameters and Product Dimension

3.1 Technical Parameters

Model	Inlet/ Out let	Drain Outlet	Filtration Accuracy (μm)	Working Temper- ature($^{\circ}\text{C}$)	Media PH Value	Max Work- ing Pressure (MPa)	Max Flow Rate (m^3/h)
45006	1"M	1/2"M	150	5 ~ 50	4-13	0.6	6
45012	1 1/2"M						12
45020	2"M	3/4"M					20
45040	2 1/2"M						40

Note: M—Male thread

3.2. Product Dimension

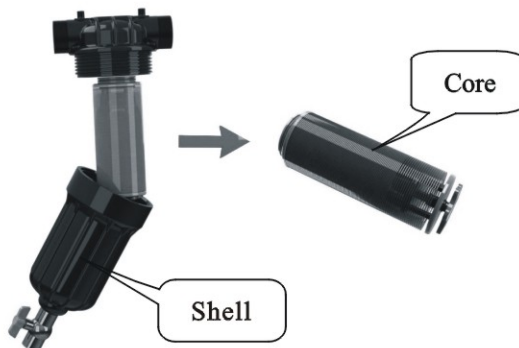


Model	Dimension					Unit:mm
	H	H1	L	G	M	
45006	246.5	27	150	G1/4	-	
45012	411.5	185	188		-	
45020	410	44	212		-	
45040	708	333	300		M16	

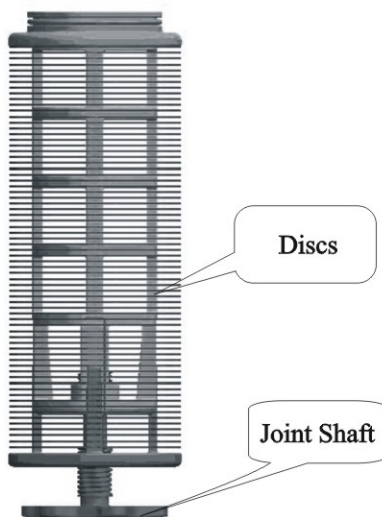
Note: Size G is connector of pressure gauge, size M is for stud.

4. Cleaning Steps

4.1. Remove the shell, take out the core.



4.2. Loose joint shaft

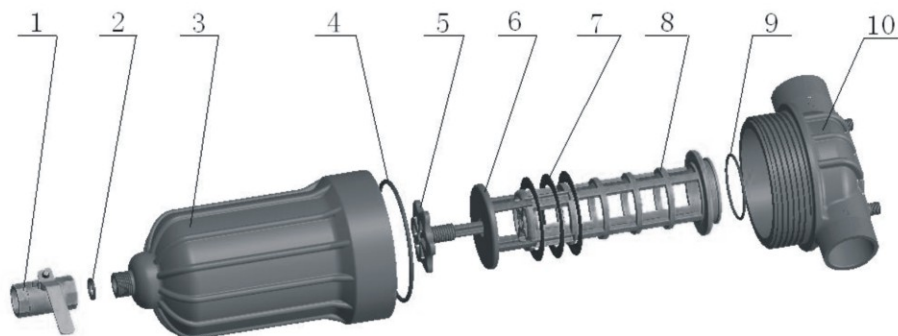


4.3. Wash discs manually

After washing, tighten joint shaft and compress discs, put it back to shell.

5. Assembly & Parts

1. Structure of 45006 and 45020

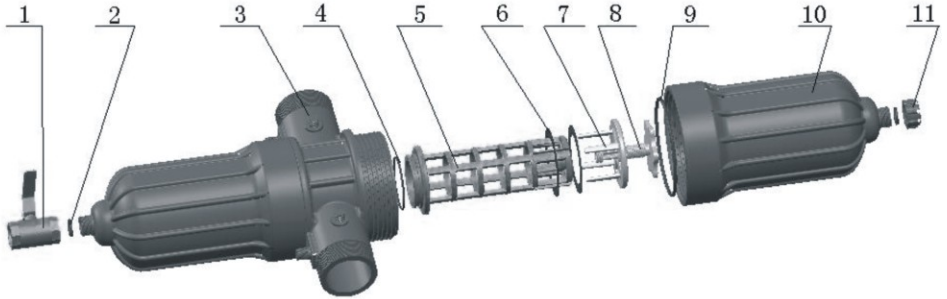


45006 and 45020 Components

45006 Components				45020 Components			
Item No.	Description	Part No.	Quantity	Item No.	Description	Part No.	Quantity
1	Ball Valve	2976017	1	1	Ball Valve	2976009	1
2	Washer	8371020	1	2	Washer	8371019	1
3	Shell	8002015	1	3	Shell	8002014	1
4	O-ring	8378171	1	4	O-ring	8378161	1
5	Joint Shaft	8040011	1	5	Joint Shaft	8040010	1
6	Cover	8315018	1	6	Cover	8315017	1
7	Disc	8339015	91	7	Disc	8339013	194
8	Permanent Seat	8109029	1	8	Permanent Seat	8109024	1
9	O-ring	8378084	1	9	O-ring	8378163	1
10	Valve Body	8022127	1	10	Valve Body	8022107	1

MODEL: 45006/45012/45020/45040

2. Structure of 45012 and 45040



45012 and 45040 Components

45012 Components				45040 Components			
Item No.	Description	Part No.	Quantity	Item No.	Description	Part No.	Quantity
1	Ball Valve	2976017	1	1	Ball Valve	2976009	1
2	Washer	8371020	2	2	Washer	8371019	2
3	Valve Body	8022126	1	3	Valve Body	8022108	1
4	O-ring	8378084	2	4	O-ring	8378163	2
5	Permanent Seat	8109029	2	5	Permanent Seat	8109024	2
6	Disc	8339015	91×2	6	Disc	8339013	194×2
7	Cover	8315018	2	7	Cover	8315017	2
8	Joint shaft	8040011	2	8	Joint Shaft	8040010	2
9	O-ring	8378171	2	9	O-ring	8378161	2
10	Shell	8002015	2	10	Shell	8002014	2
11	Blind Nut	8940012	1	11	Blind Nut	8940004	1


6. Warranty Card

Dear client:

This warranty card is the guarantee proof of RUNXIN brand multi-functional flow control valve. It is kept by client self. You could get the after-sales services from the supplier which is appointed by RUNXIN manufacturer. Please keep it properly. It couldn't be retrieved if lost.

It couldn't be repaired free of charge under the below conditions:

1. Guarantee period expired.(One year)
2. Damage resulting from using, maintenance, and keeping that are not in accordance with the instruction.
3. Damage resulting from repairing not by the appointed maintenance personnel.
4. Content in guarantee proof is unconfirmed with the label on the real good or be altered.
5. Damage resulting from force majeure.

Product Name	 Multi-functional Flow Control Valve for Water Treatment Systems				
Model		Code of Valve Body			
Purchase Company Name		Tel/Cel			
Problem					
Solution					
Date of Repairing		Date of Accomplishment		Maintenance Man Signature	

When product need warranty service, please fill in the below content and sent this card together with the product to the appointed suppliers or Runxin company.

End-user Company Name		Tel/Cel.	
Purchase Company Name		Tel/Cel.	
Model		Code of Valve Body	
Problem Description			



WENZHOU RUNXIN MANUFACTURING MACHINE CO.,LTD

ADD: Jinger Road, Shatou Group, Linjiang, Lucheng District, Wenzhou, Zhejiang, China

Tel: +86-577-88635628 88630038 Fax: +86-0577-88633258

Http://www.run-xin.com Email:sales@run-xin.com