

## VÁLVULA DE BOLA ACTUADA DE 1"

**硬密封、轻扭矩、耐腐蚀、耐久用**  
Hard sealing Low torque Corrosion resistance Durability

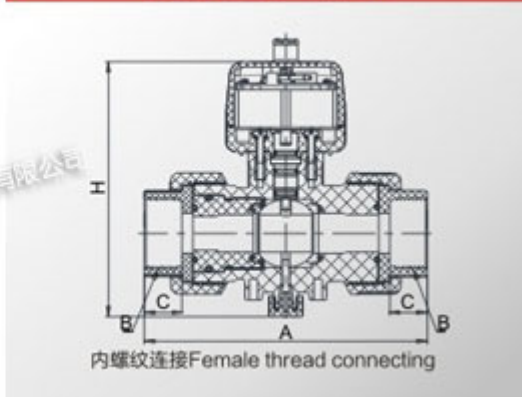
**阀芯采用高性能氧化铝陶瓷**  
Valve core use material of aluminum oxide ceramic



- 采用陶瓷球为密封核心部件，耐磨、耐腐蚀、密封性优良、抗垢能力强、使用寿命长（10万次以上）
- 负载扭矩小
- 外形美观，结构紧凑
- 可用于酸、碱等腐蚀性流体应用领域
- IP防护等级：IP65。防护等级高，可在相对潮湿的环境中使用
- It adopts ceramic ball as the core sealing part, which makes more anti-friction, better corrosion and dirty resistance, excellent tightness and long service time (Can be used for more than 100,000 times).
- Small load torque and low power consumption. It driven by Direct Current of low-voltage, which is more safe. Its big flux also makes it the substitute for solenoid valve of differet apertures.
- Elegant appearance and compact structure. It has indicating light for the switch.
- It can take the place of solenoid valve in situation where requires slow operation. It is moresafe with longer working life than solenoid valve.
- It can be used with corrosive fluid like Acid and Alkali. It can be controlled remotely.
- PI65 its high self-protection assures it normally used in humid environment.

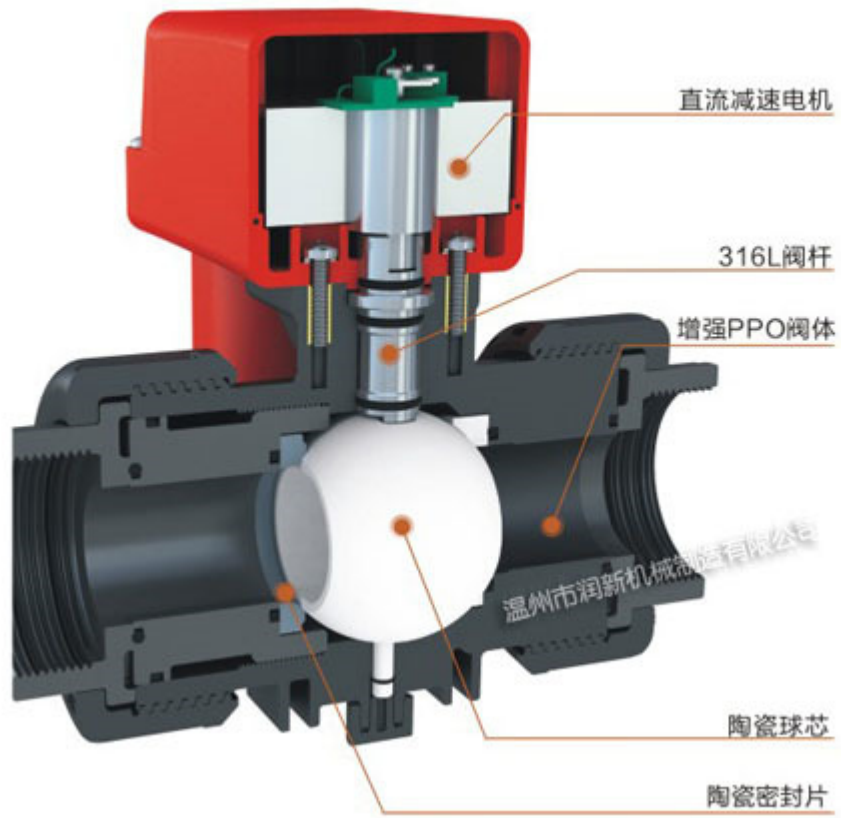
电动塑料球阀DN25 型号: Q91101-25

内螺纹连接--结构图

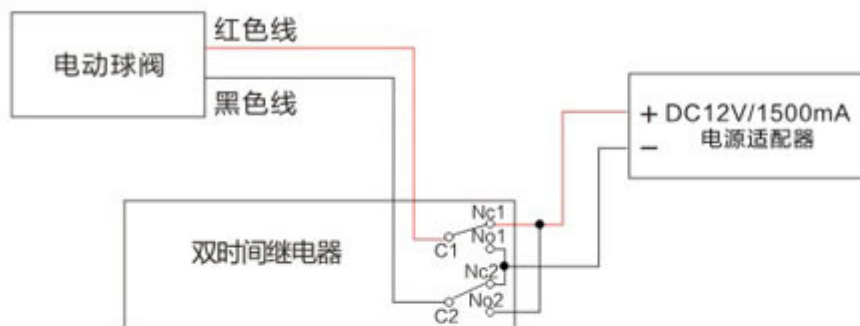


连接方式 Connecting Type	产品编号 Model	公称通径 DN	A	B	C	H	启闭时间(秒) Open-close Time (s)	输入电压 Input Voltage
内螺纹 Female Thread	Q91101-20	Dn20	/	G3/4	15.5	102	12.5(3)	6V (12V、24V)
	Q91101-25	DN25	138	G1	20	117	12.5(3)	6V (12V、24V)
	Q91102-32	DN32	167	G1 1/4	22	149	7.5	12V (24V)
	Q91102-40	DN40	182	G1 1/2	24	163	7.5	12V (24V)
	Q91103-50	DN50	212	G2	25	205	7.5	24V

- 阀体为PPO材料；采用浮动球直通结构。
- 括号内的参数为可选项，订货时需具体说明。

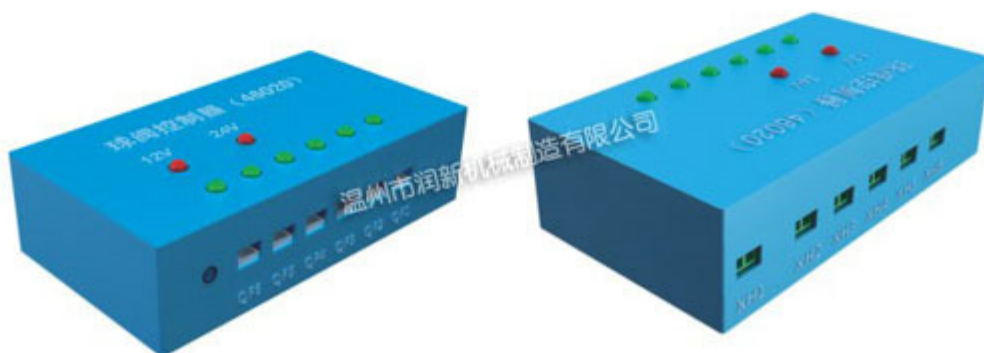


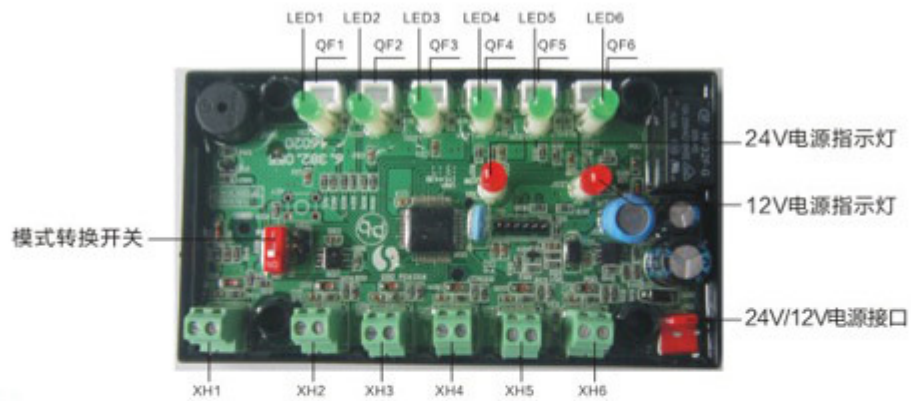
## 产品接线图



注释:

- ① 红色线接"+"极,黑色线接"-极,电动球阀打开;
- ② 黑色线接"+"极,红色线接"-极,电动球阀关闭;





### 接线介绍

- 1) 当模式转换开关至ON时, XH1~XH6外接我公司生产的水处理控制阀的信号输出端, 如我司阀b-01的N0与COM端。
- 2) 当模式转换开关至I 时, XH1~XH6外接PLC控制信号。

### 注释:

- 1) QF1~QF6为6个球阀接口;
- 2) LED1~LED6为QF1至QF6球阀状态对应指示灯。



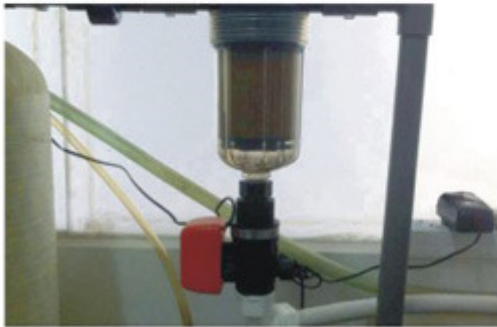
## 广泛应用于水处理、水表卡、化工、食品等行业

Be used in water treatment system, Water meter IC Card, chemical industry, food industry and etc.

- 学校、浴场等卡式节水系统、预付费冷热水表场所。  
Water-saving system in school, bath center and prepayable water meter for cold and hot water situation.
- 工业自控、自动排污。  
Industrial automatic control system and automatic sewage system.
- 环保、给排水、食品工程、水处理工程。  
Project for environment protection, water supply and drainage, food and water treatment.



○反渗透预处理  
The pretreatment of reverse osmosis



○管道过滤器自动冲洗设备  
Automatic flushing device pipe filter



○高纯水处理设备  
High Purity Water Treatment Equipment